

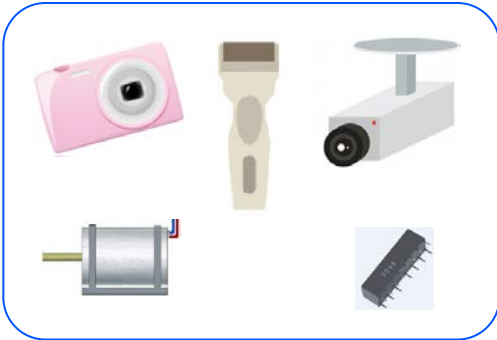
PRODUCT INFORMATION

Air Leak Tester for small sealed products



LS-R740 ZL

LS-R740ZL tests the airtightness of sealed products. The part to be tested is placed in a capsule and pressurized to measure the pressure change caused by leak flowing into the part.



Features

- Easy-to-navigate and intuitive interface with simple menu configuration
- Waveform Display of Test pressure and Differential pressure
- Easy volume compensation when the tested part and the reference part have a volume difference.

- User selectable multi-language capability: English, Japanese and Chinese
- USB Port for easy test data management
- Closer placement of sensor section to the target capsule

Specification

Differential Pressure	Resolution	0.1 Pa
	Display Range	±999.9Pa, (Accuracy guaranteed range ±1000Pa)
	Reading Accuracy	±2.5% of rdg ±1Pa, 50Pa or lower: ±2Pa
	Sensor Proof Pressure	5 MPa
Display Unit	Test Pressure	kPa, MPa (kg/cm ² , PSI, bar, mmHg, etc.)
	Leak	Pa, kPa, mL/s, mL/min, L/min, Pa m ³ /s, E-3 Pa m ³ /s, Pa/s, Pa/min, *Pa/s, *Pa/min (mmH ₂ O, mmHg, inH ₂ O, etc.)
	K(Ve) (Leak coefficient)	mL, L (in ³ , ft ³)
Leak Display		4 digits Sampling rate: 10 times/s
Leak Limit		Up to ±999.9 Pa
Number of Channels		32 channels (#0 to #31)
Timers		Up to 999.9 s (Resolution: 0.1 s)
Power Source		100 to 240 VAC ±10% at 50/60 Hz, 70 VA max
Ambient Temperature		5 to 45°C
Humidity		80 %RH or less / No dew condensation
Weight		Controller: about 2.6 kg Pneumatic unit: about 7.1 kg

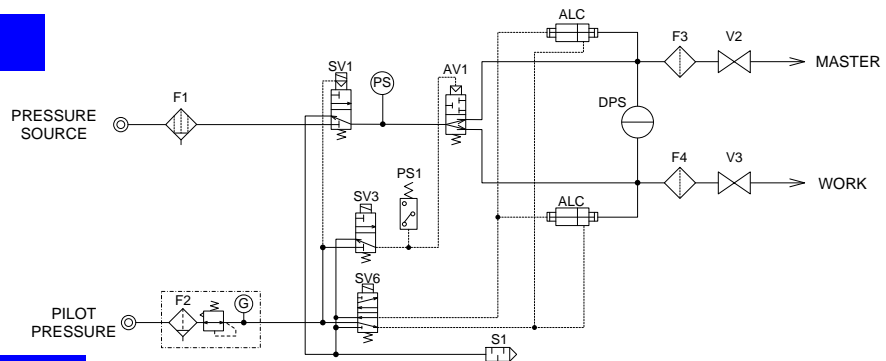
Test Pressure Source	Clean air regulated to the test pressure. The source pressure must be sufficiently higher than the test pressure.	
Pilot Pressure	Set using the pilot pressure filter regulator mounted. Range: 400 to 700kPa	
Port Size	M1K1	Special joint is used only for WORK and MASTER port tubing
	M3K4	Rc(PT) 1/4: (Air pressure source, WORK and MASTER ports)
CPU	SH-2A 144MHz, DRAM8MB	
RS-232C (D-sub 9 pins)	ID2 format	Limit values as well as Large Leak limit and Small Leak limit are transmitted.
	L2 format	L-DET and S-DET test results are transmitted
	Others	Four formats
USB Port	Test data	Judgment, Leak, Test pressure, Channel#, Timers, etc.
	Test parameter	Test parameters of all the settings screens
Standard Accessories	Pilot pressure filter regulator, Quick Mounting Brackets, Control I/O connector, Power cord, Inspection record, Operation manual CD, Traceability documents	

Model Classification

LS-R740ZL-1 2 3 4

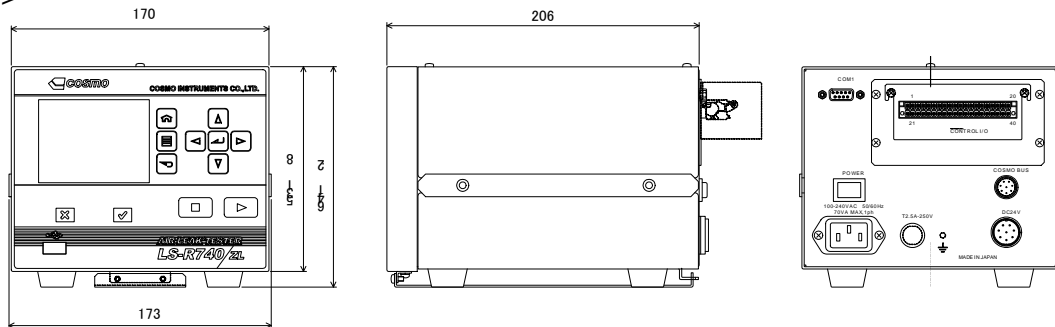
1	Test Circuit	Small Volume	M1K1	For micro-volume parts. *Tester internal volume: 0.7 mL
		Medium Volume	M3K4	For medium volume parts. *Tester internal volume: 8.0 mL
2	Test Pressure	Low	L	Test pressure range: 10 to 100 kPa
		Medium	M	Test pressure range: 50 to 500kPa
		Vacuum	V	Test pressure range: -5 to -100 kPa
3	Option	Panel mount	P	The controller is designed to be panel-mounted.
		NPT Fittings	PX1	Connecting port thread is NPT.
		Nylon Filter Housing	RX02	Filter housing for the pilot pressure port is nylon.
4	Cable Length Specified	Unit-to-unit cable 3 m	S3	Standard
		Unit-to-unit cable 5 m	S5	Option
		Unit-to-unit cable 10 m	S10	Option

Pneumatic Circuit

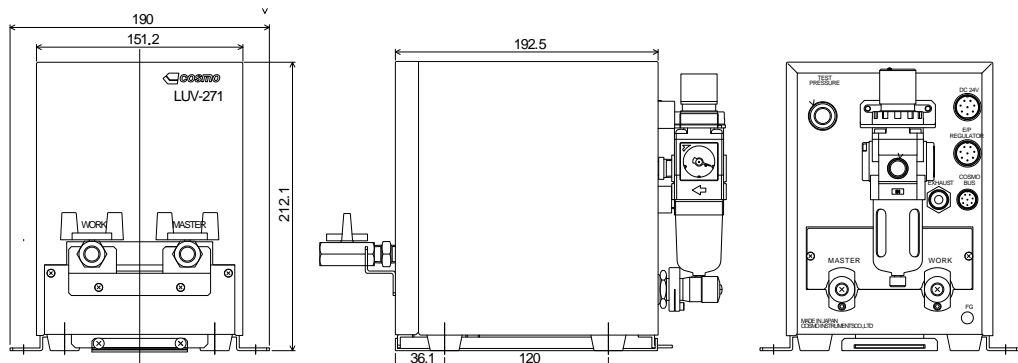


External Appearance

< Controller >



< Pneumatic Unit >



* The contents in this PRODUCT INFORMATION is as of December 2014. The specifications are subject to change without prior notice.

Cosmo Instruments Co., Ltd.

<http://www.cosmo-k.co.jp/>

Head Office:

2974-23 Ishikawa, Hachioji, Tokyo 192-0032
Phone: +81-(0)42-642-1357 Fax: +81-(0)42-646-2439

Overseas Contact:

China, Korea, Taiwan, Malaysia, Thailand, Indonesia
Vietnam, India, Germany, UK, USA, Mexico, Brazil, Australia